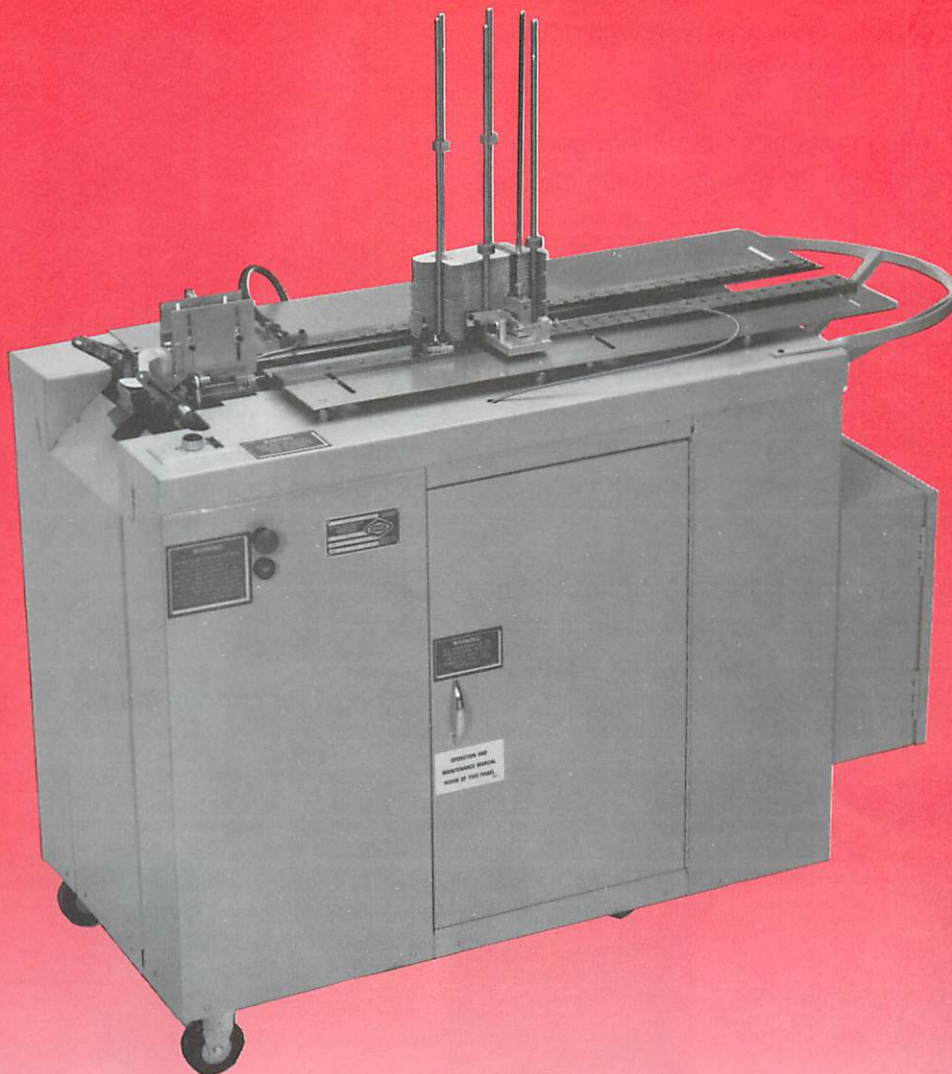




**CARTONING
MACHINERY**

TUCK-O-MAT[®]



THE BASIC CARTONER

Pays For Itself In Months!

BIVANS BASIC CARTONER

Let a Tuck-O-Mat[®] Organize and Pace Your Cartoning Operation

Tuck-O-Mat[®] forms and bottom closes cartons at speeds from 10 per minute to 3600+ per hour – tuck or glue.

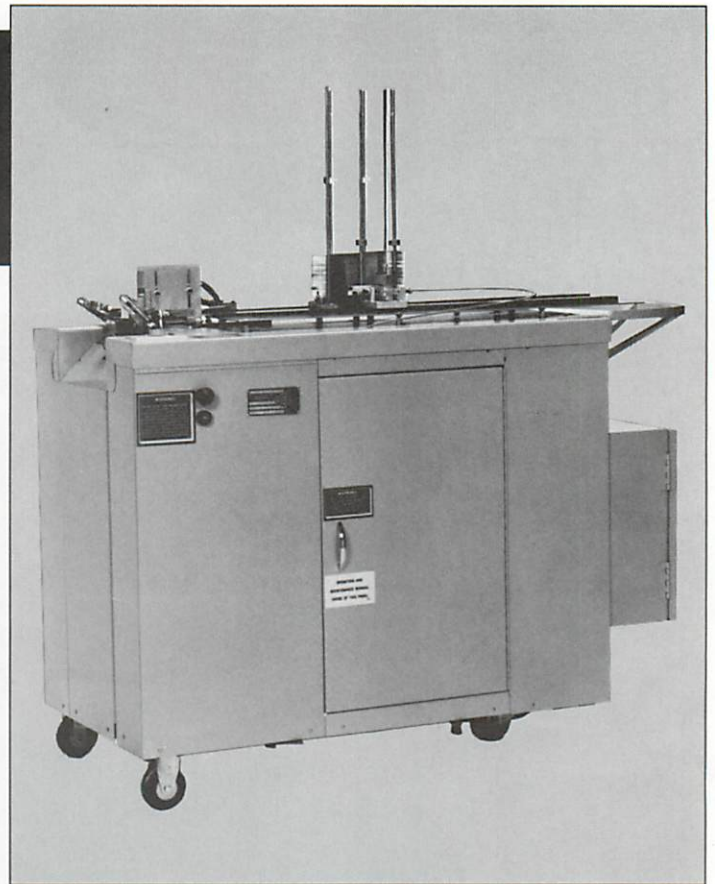
Rugged Construction assures trouble-free performance. Run your cartons year after year with little or no maintenance for *near-zero* downtime.

Simple Design means fast carton size changeovers when needed, in just 10 to 20 minutes – with inexpensive change parts.


Mounted On Wheels for convenient use in any part of your plant.

Ideal For Test Marketing. A standard Tuck-O-Mat can frequently be modified to accommodate special cartons at less than half the time and cost of a custom-built cartoner.

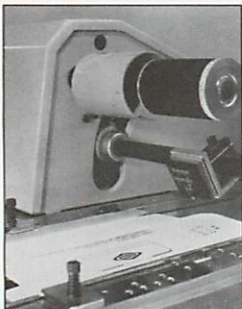
Cost-Effective. Modest cost allows some firms to buy a Tuck-O-Mat for each product or production line. *A Tuck-O-Mat pays for itself in months, not years.* That's what cost-effective means!



Available Attachments include Coding, Debossing, Hot Stamp Imprinting, Labeling, Bar Code, Glue Seal. Custom parts for special carton styles on request.

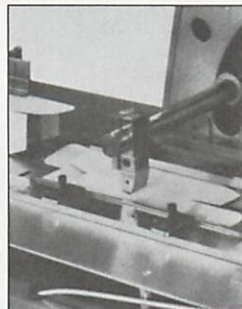
 OK for cartons made with recycled paper.

STANDARD ATTACHMENTS



Imprinter

Coder 321 produces a clear imprint (Code number or product ID) with precision accuracy. Rubber plate within 1½" x 1½" area. Field or factory installation on Tuck-O-Mat or Convey-O-Mat machines.



Debosser

Debosser 321 uses steel type for debossing without ink. Two line standard. Performance similar to Coder 321. Field or factory installation as required.

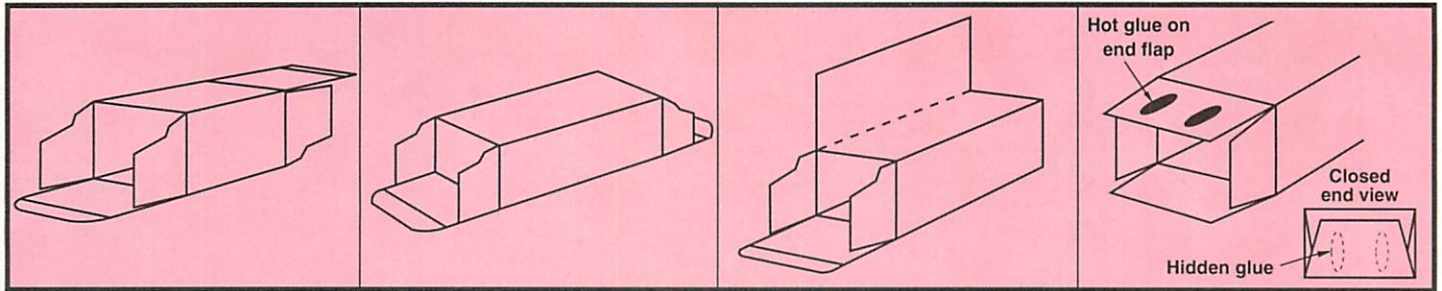


4-Flap Interlocking

Attachment shown above inserts first locking flap on 4-flap interlocking carton bottom. See drawing on following page for carton diagram and folding sequence.

TUCK-O-MAT®

Handles Most Carton Styles – Including Tamper-Evident



Reverse Tuck

The standard Tuck-O-Mat is designed for reverse tuck cartons. Most options and attachments work with this style carton.

Straight Tuck

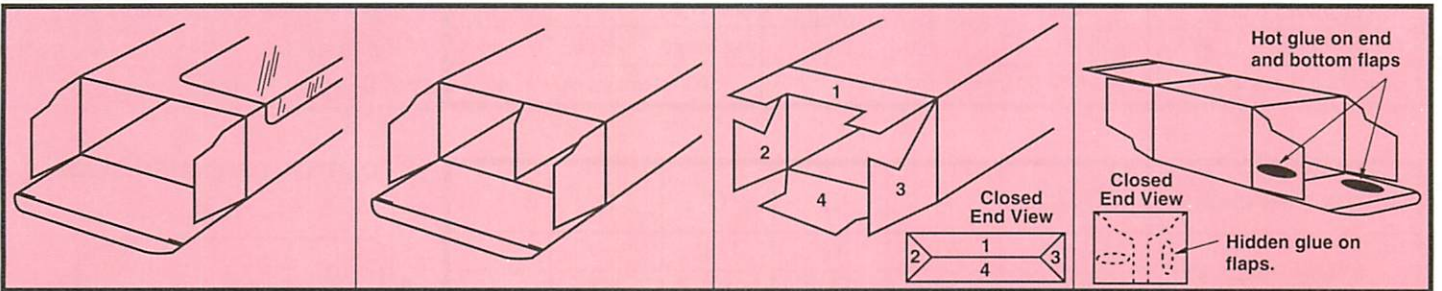
Standard attachment, factory or field installed. Easily interchanged with reverse tuck.

Extended Display Panel

Depending on placement of the panel, an attachment may or may not be required.

Standard Glue Seal. No Tuck.

For added strength and tamper-evident seal. This option reduces speed range to 10-30 cartons per minute.



Windows

Most varieties of cartons with transparent windows or cut-outs can be run without special attachments.

Partitions

No attachment necessary to run built-in partition cartons that are properly designed. We will work with you to resolve any technical problems.

4-Flap Interlocking.

Use where added strength is required. Standard reverse tuck cartons may be run on same machine without removing 4-flap attachment. Numbers on flaps above indicate folding sequence.

Bottom Gluing with Tuck. Reclosable.

Provides added strength for heavy products. Acceptable as tamper-evident for many products. Speeds to 60 cartons per minute for most carton styles.

NOTE: Any tuck carton can be glued for extra strength, or tamper-evident seal.

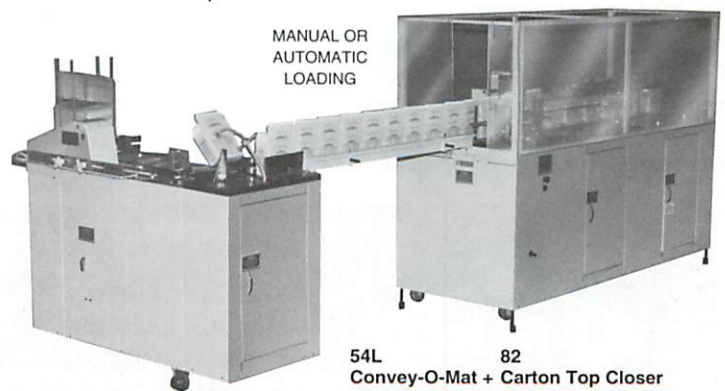
TUCK-O-MAT® CONVERTS TO A COMPLETE VERTICAL CARTONING SYSTEM

1. Bolt on a Convey-O-Mat® attachment and you have Model 54L, a machine that forms, bottom closes and lifts up cartons to a vertical position. It then moves them in front of an operator or filling machine for filling. After filling, another operator closes the top of each carton and places it in a shipping case.

Or...

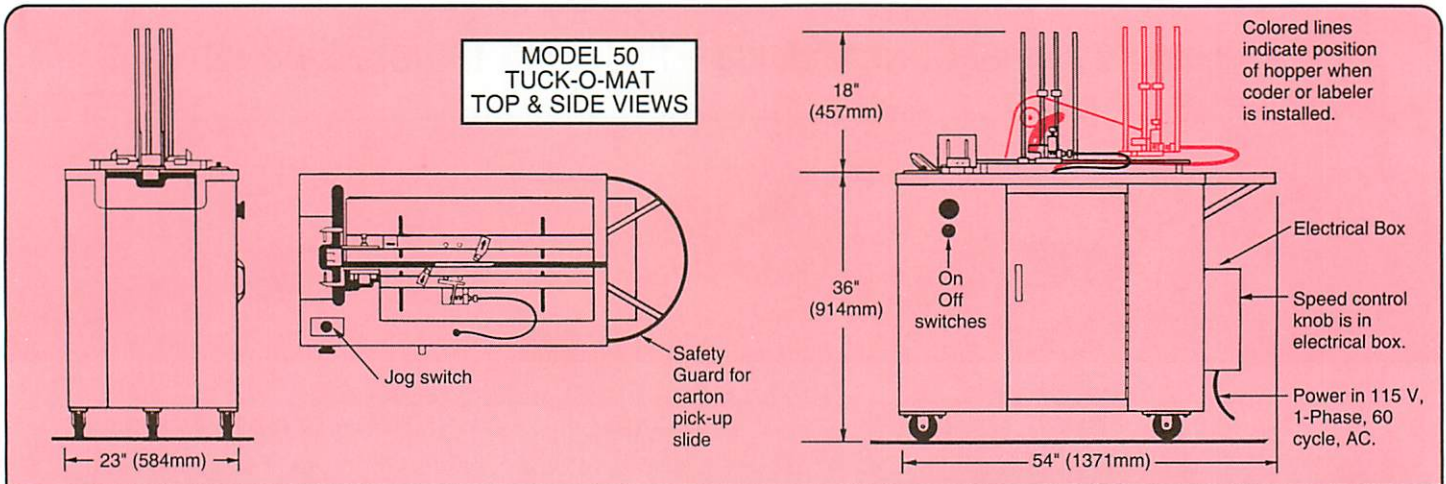
2. Add our Model 82 Carton Top Closer to the above set-up and you have a complete cartoning system that eliminates all manual handling of cartons. At speeds to 60 cartons per minute!

Modular Concept



54L 82
Convey-O-Mat + Carton Top Closer
A COMPLETE CARTONING SYSTEM
(Write for separate brochure)

TUCK-O-MAT® SPECIFICATIONS

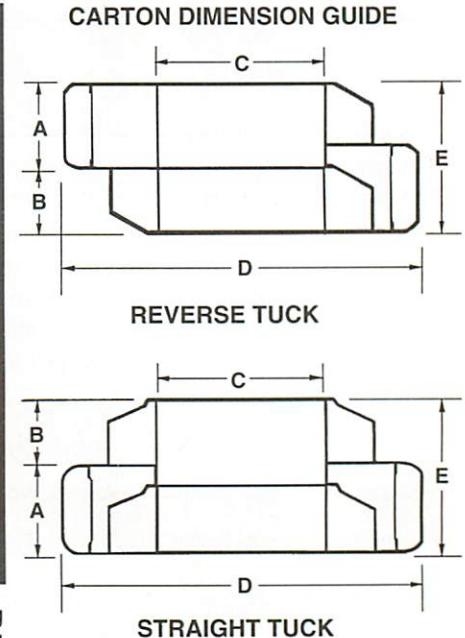


MACHINE DIMENSIONS	Deck Height	Length	Width	BIVANS CODE - DEBOSS ATTACHMENTS		
	36"	54"	23"			
METRIC	914	1371	584			
Drive Motor	½ HP, 0 - 90 Volts DC			Power: parent machine		
Shipping Weight	475 lbs.	METRIC	215 kg	Ship. Wgt.	104 lbs.	47 kg
Net Weight	305 lbs.		138 kg	Net weight	45 lbs.	20 kg
Operating Speeds	10 - 60 cartons per minute			10 - 60 cartons per minute		

- ### SAFETY FEATURES
1. All control circuits touchable 24 volts.
 2. Locking Stop Buttons help avoid accidental starting.
 3. Slow-start motor to avoid surprises.
 4. Jog/Run Selector. Will not run in jog mode.
 5. Guarded pick-up slide.

CARTON DIMENSIONS*		Standard Carton Range	A	B	C	D	E (A+B)
REVERSE TUCK	Minimum	7/8"	3/8"	1 1/4"	—	—	—
	Maximum	5"	3 1/2"	12"	17"	—	—
STRAIGHT TUCK	Minimum	7/8"	3/8"	2 1/2"	—	—	—
	Maximum	5"	3 1/2"	10"	12"	—	—
CODER and DEBOSSER	Minimum	—	—	—	2 3/4"	1 1/4"	—
	Maximum	—	—	—	10"	7 1/2"	—
REVERSE TUCK	METRIC in millimeters	Minimum	22	10	32	—	—
Maximum		127	89	305	432	—	
STRAIGHT TUCK	METRIC in millimeters	Minimum	22	10	64	—	—
Maximum		127	89	254	305	—	
CODER and DEBOSSER	METRIC in millimeters	Minimum	—	—	—	70	32
		Maximum	—	—	—	254	191

* LARGER OR SMALLER CARTONS ON FACTORY APPROVAL



All Bivans Machines are designed to be safe and reliable, but Manufacturer is not responsible for malfunctions due to incorrect use or maintenance by Employer. Per OSHA regulations, Employer is responsible for safe use and operation of all machinery.

Product Improvement is a continuing Bivans Corporation project. Therefore, all specifications are subject to change without notice.

proven dependable in worldwide use for over 40 years



BIVANS CORPORATION
 2431 Dallas Street
 Los Angeles, CA 90031 • U.S.A.
 Phone: 213/225-4248
 Fax: 213/225-7316

**FULL RANGE OF
 HORIZONTAL AND
 VERTICAL CARTONERS
 AVAILABLE**