

BIVANS VERTICAL CARTONERS

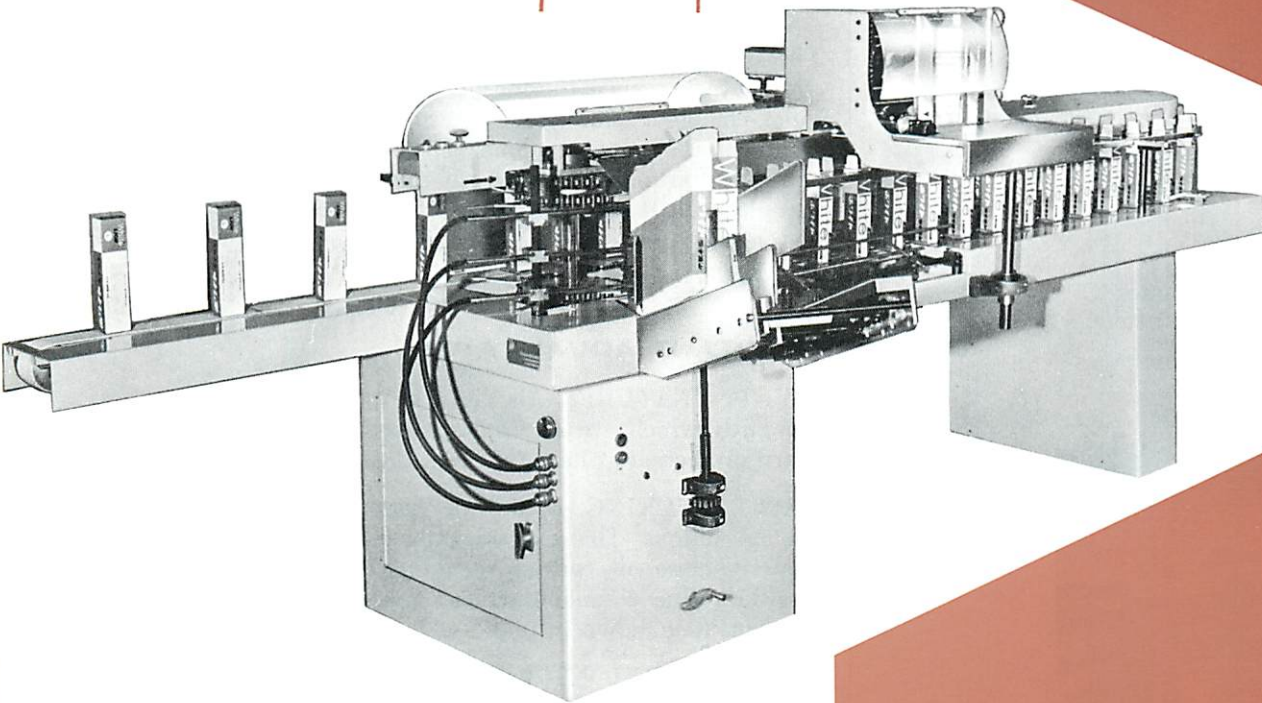
# The VERTUCK

74

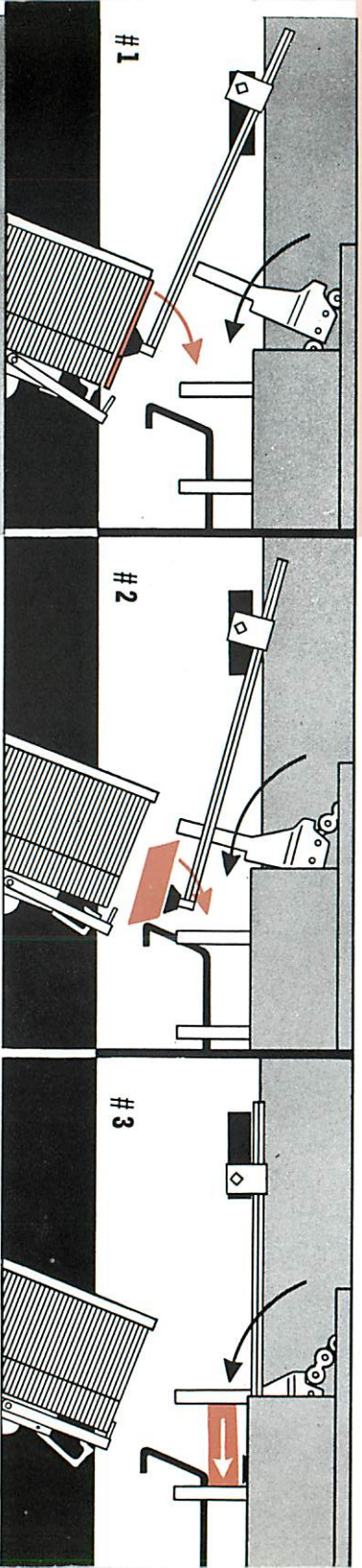
& 72



**CARTONING  
MACHINERY**



## VERSATILITY IN A VERTICAL CARTONER!



### POSITIVE FEED AND FORMING

Specially designed retainers (shown circled in photo) hold back the weight of the full stack of cartons in the gravity feed hopper while the end carton is being removed by the vacuum cups. The sequential diagrams above show #1 this positive feed mechanism, #2 the carton being opened by the forming bars, and #3 the carton merging smoothly into the constantly moving carton transport conveyor. The final forming action is done by the conveyor lugs which square the carton and hold it firmly as it travels through the filling and closing stations.

### STRAIGHT OR REVERSE TUCK . . . OR GLUE SEAL

The Bivans Vertuck® 74 can be equipped to run either straight tuck, reverse tuck or glue-seal cartons. If required, quick change assemblies can be supplied to run all three styles on the same machine. The Vertuck® 74 can be equipped to run cartons with hanging tabs or interlocking flap closures. It can also be equipped for extended size and speed ranges. Please submit carton samples for analysis and quotation.

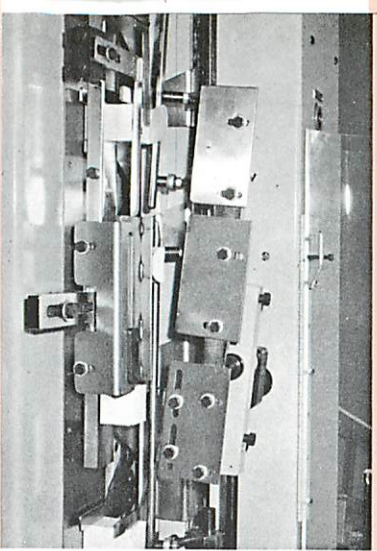
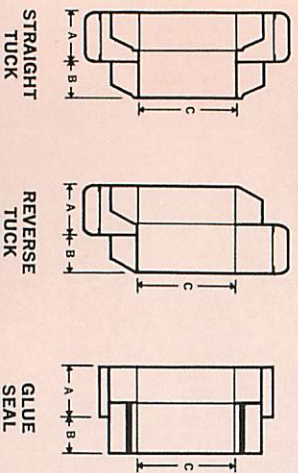
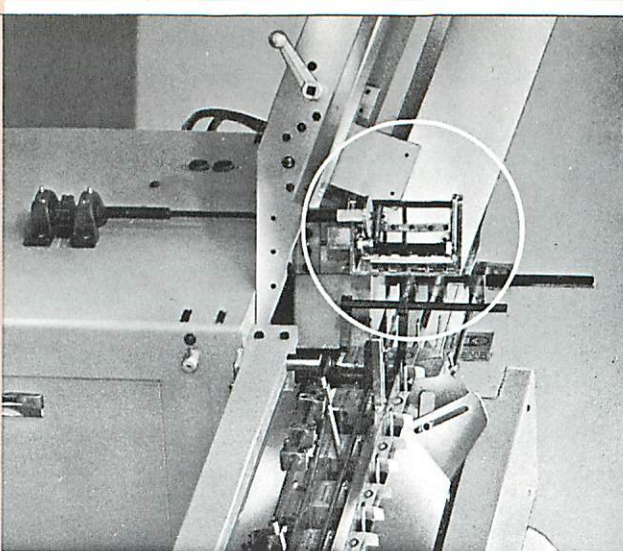
### OTHER IMPORTANT ADVANTAGES

**SAFETY FEATURES.** All Vertucks® are wired to NEC standards which are now acceptable to OSHA. Safety guard protection at hazard points.

**3-PART TUCKING BARS** for both top and bottom closing stations. This exceptionally reliable system will properly close all cartons including those with minor variations due to manufacture, humidity or warpage. (Top tucking shown in photo at left.)

**CLOSING STATIONS** designed to provide easy access for fast carton size changovers and routine maintenance.

**STAINLESS STEEL** hopper, forming bars, deck and all closing mechanisms provide carton protection and machine durability.





# The VERTUCK

# 74

# & 72

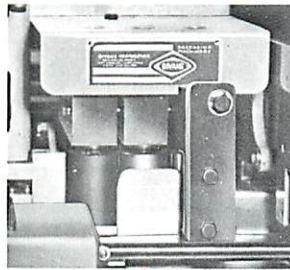
The Vertuck<sup>®</sup> 74 is simple to use, easy to maintain and built to last. This high speed (20-120 c.p.m.), semi-automatic cartoner is ideal for either long or short production runs. When caster mounted, it can be moved easily from one production line to another. The Vertuck<sup>®</sup> 74 has a 120" filling area—ample space for 4 filling operators, 2 on each side of the machine.

The Vertuck<sup>®</sup> 74 is easy to adjust. One person can make a 3-dimension carton size changeover in about 20 minutes. Most size and speed adjustments are simply made with handcranks. Many attachments for additional labor saving versatility are listed below.

Bivans cartoners are chosen worldwide for their clean functional design and proven dependable performance.

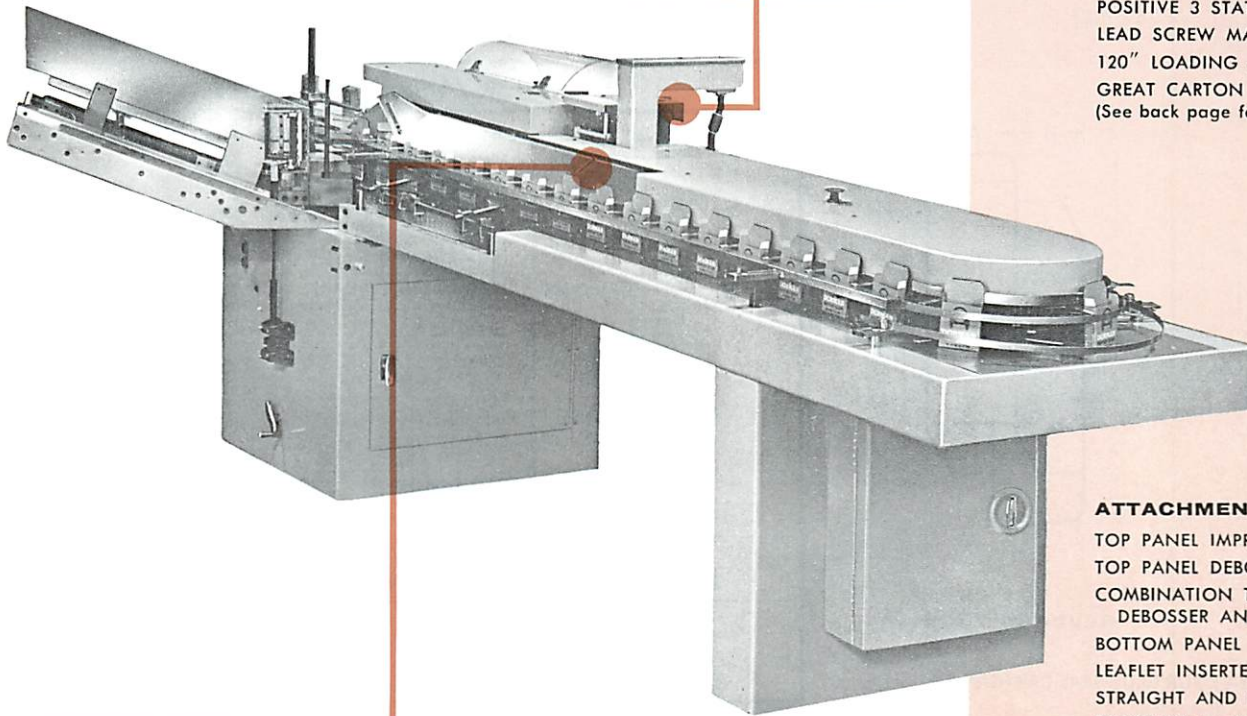
### IMPRINTER

Top panel rotary imprinter produces fine quality product identification. Multiple lines up to 5" long. Uses rubber logotype or base lock type. Ink supply from disposable Porelon ink rolls provides easy changeover and clean-up.



### STANDARD FEATURES

- SPEED RANGE 20-120 PER MINUTE
- CHOICE OF STRAIGHT OR REVERSE TUCK
- 24 VOLT CONTROL CIRCUIT
- OVERLOAD SAFETY CONTROLS
- POSITIVE 3 STATION CLOSING
- LEAD SCREW MAJOR ADJUSTMENTS
- 120" LOADING AREA (4-5 STATIONS)
- GREAT CARTON SIZE RANGE
- (See back page for detailed info.)

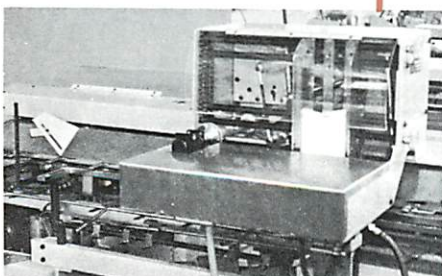


### ATTACHMENTS

- TOP PANEL IMPRINTER
- TOP PANEL DEBOSSER
- COMBINATION TOP PANEL DEBOSSER AND IMPRINTER
- BOTTOM PANEL DEBOSSER
- LEAFLET INSERTER
- STRAIGHT AND REVERSE TUCK CONVERSION
- PROTRUDING PRODUCT DETECTOR
- EMPTY CARTON DETECTOR
- TUCK GLUING
- GLUE SEALING
- PRODUCT CONVEYORS
- CASTER MOUNTING
- 4-FLAP ATTACHMENT
- CRANK-ADJUSTABLE HOPPER

### LEAFLET INSERTER

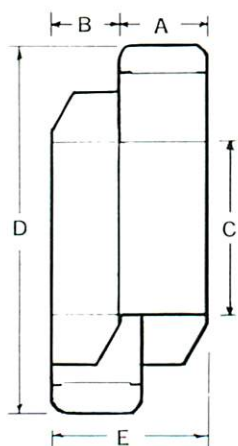
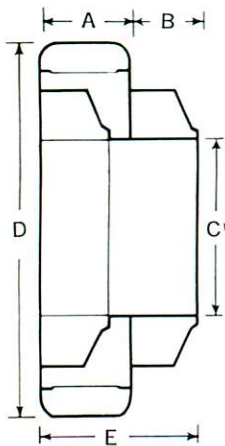
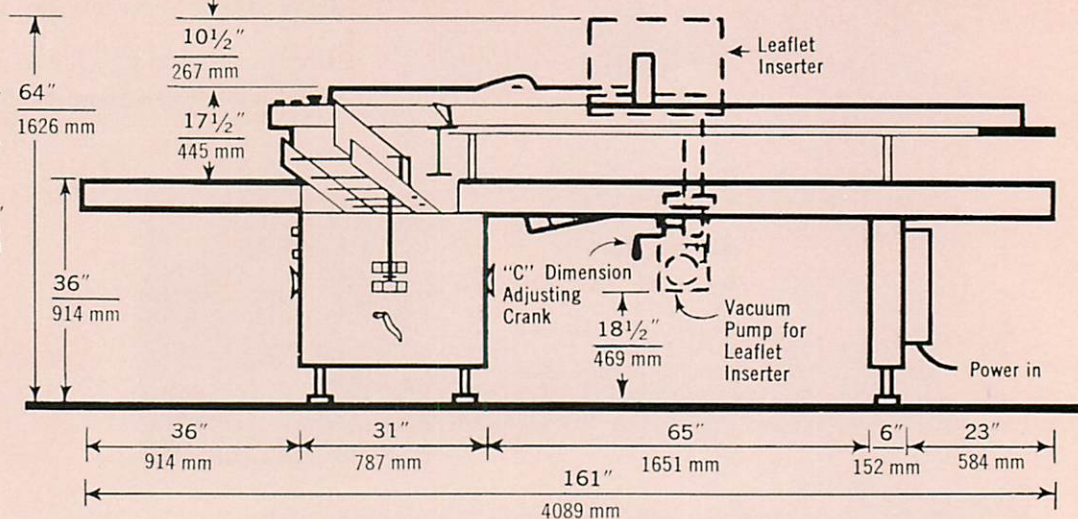
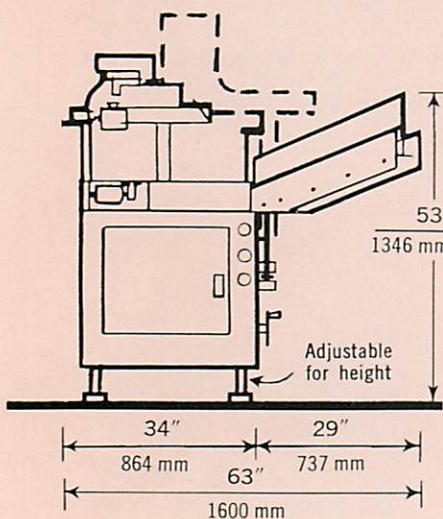
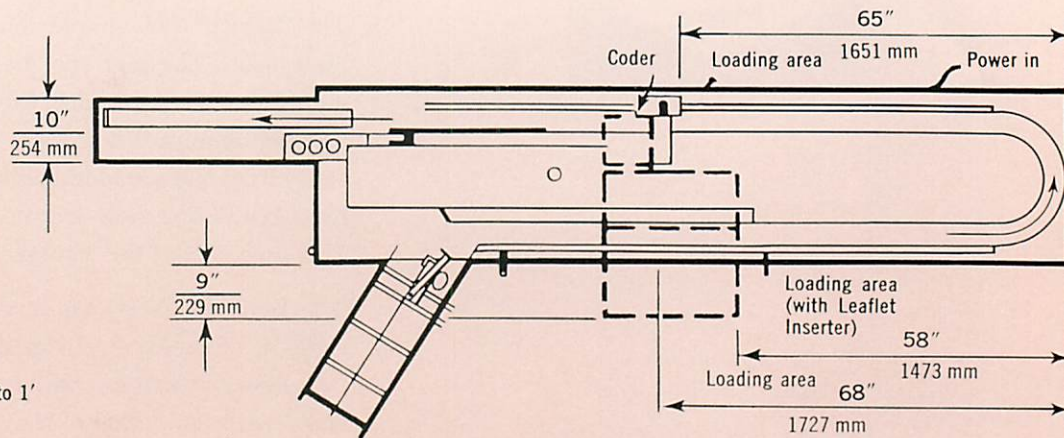
Direct leaflet transfer from bottom feed, top loading hopper. Lead screw adjustments for leaflet dimensions and carton height. Other adjustments are simple and accessible. All moving parts are cam operated. Equipped with a no-carton no-leaflet mechanism. Model #174 leaflet inserter can be either factory or field installed.



FOR SLOWER SPEED OPERATION, OR FOR USE WITH AUTOMATIC LOADING DEVICES, OUR VERTUCK MODEL 72 IS TWO FEET SHORTER, AND COSTS ABOUT 6% LESS.



Scale: 3/8" to 1"



STRAIGHT TUCK

REVERSE TUCK

SAME SIZE RANGE FOR GLUE SEAL CARTONS.

**VERTUCK 74 Specifications\***

STANDARD CARTON RANGE		A	B	C	
	Minimum	7/8"	3/4"	2 1/4"	
	Maximum	5"	3 1/2"	10"	
	Metric in millimeters	Minimum	22	19	57
		Maximum	127	89	254
→ Extended carton range available on factory approval.					
LEAFLET INSERTER	Size Range: 7/8" x 4" to 1 3/8" x 8" Metric: 22 x 102 mm to 35 x 203 mm				
MACHINE DIMENSIONS	Filling Height	Discharge Height	Length	Width	
	32"-36"	32"-36"	161"	34"	
	Metric	813-914	813-914	4089	864
Hopper Capacity	23" of Cartons — 584 mm				
Drive Motor	1 1/2 HP, Variable Speed DC/SCR Drive				
Power Required	230 Volt AC, 50/60 HZ, 3 PH, 15 Amps				
Weight	Net: 2300 Lbs.		Shipping: 2700 Lbs.		
	Metric		Net: 1043 kg Shipping: 1225 kg		
Operating Speed	20 - 120 Cartons Per Minute				

\* VERTUCK 72 SPECIFICATIONS THE SAME EXCEPT LENGTH (137") AND NET WEIGHT (2,100 LBS.)

All Bivans machines are designed to be safe and reliable, but Manufacturer is not responsible for malfunctions due to incorrect use or maintenance by Employer. Per OSHA regulations, Employer is responsible for safe use and operation.

Product improvement is a continuing Bivans Corporation project. Therefore, all specifications are subject to change without notice.



**BIVANS CORPORATION**

2431 DALLAS STREET, LOS ANGELES, CALIFORNIA 90031, U.S.A.

PHONE: (213) 225-4248 • FAX: (213) 225-7316